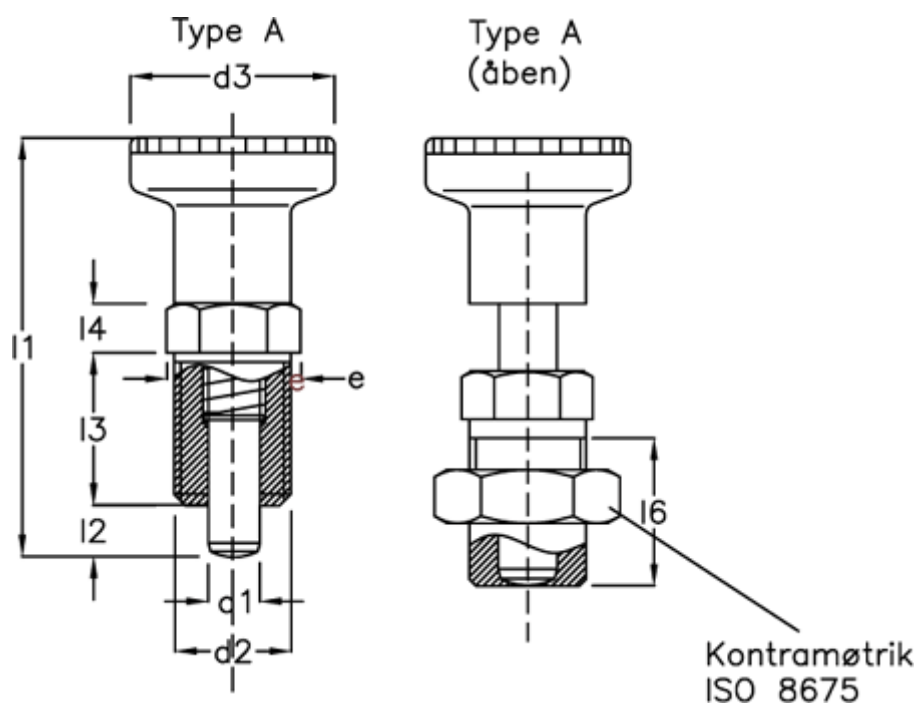


Article number: 206176A

Description: E+G Steel indexing plunger
GN 617-6-A

Measures



$d1 = 6$	$l6 = 17$
$d2 = M12 \times 1,5$	$NV = 14$
$d3 = 25$	Spring pressure N bottom = 15
$e = 16.2$	Spring pressure N top = 6.5
$l1 = 54.5$	
$l2 = 6$	
$l3 = 20$	
$l4 = 6$	